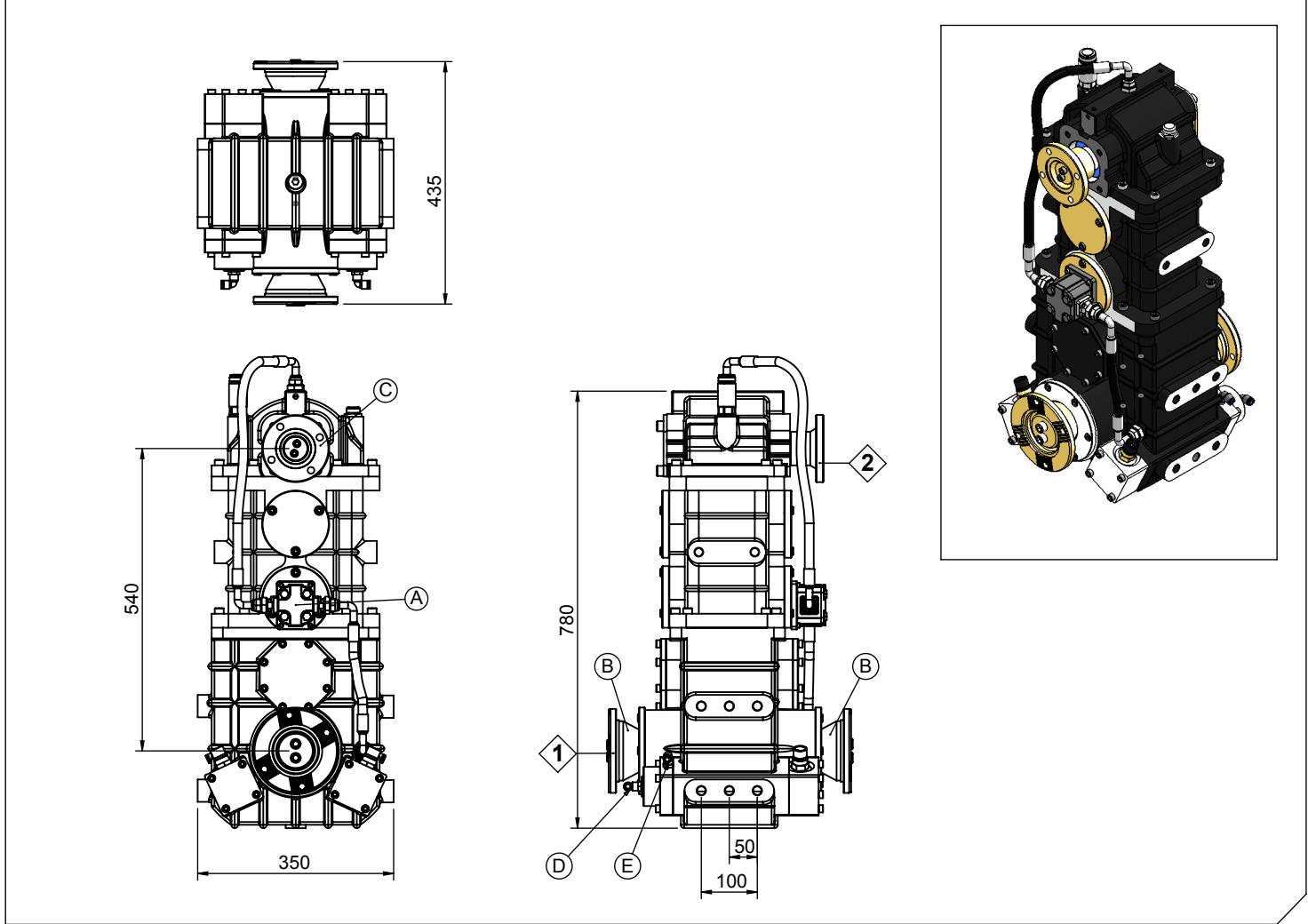


Vehicle Type	For Fire Fighting, Road Maintenance Vehicles
Gearbox Type	5 Stage Vertical Heavy Duty Split Shaft PTO

Product Code
UARA.2005



Products View



Component Details

A: Gear Pump
 B: Hand Brake System (Mitsubishi-Hyundai-Isuzu-Hino)
 C: Flange, DIN 100 and DIN 120
 D: Air Inlet R1/4" (Engage)
 E: Air Inlet R1/4" (Disengage)

Technical Details

Outputs	Max. Power	Max. Torque		Internal Ratio	Mounting Side	Control Type
	kW	Nm	kgm			
1		20600	2100	1/1	Split Shaft	Pneumatic
2	185 kW			1/1 1/1.2 1/1.4	Weight	Sense of Rotation
3				1/1.6 1/1.84 1/2.25		
					200 kg	Same as Input